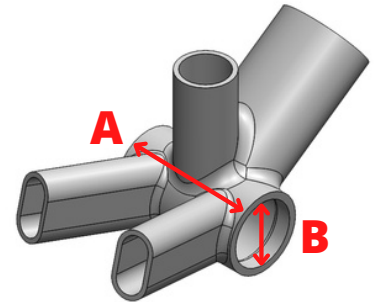


FIND YOUR NOVA RIDE BOTTOM BRACKET STANDARD

Intern Diameter (B) Frame Length (A)	Press Fit Model			Threaded		
	41	42	46	34.8	36	M47
68 / 73		BB30	PF30	BSA		T47 68/73
70					ITA	
76.75						T47 A
85.5/86.5/91.5						T47 85.5
86.5	BB86		BB386			
89.5/92	PF MTB		BB386			

*Bottom brackets not highlighted in gray will be available early 2023.



A - Shell width (mm)

B - Internal shell diameter (mm).
With or without thread.

FIND YOUR BB FRAME REFERENCE

REFERENCE NAME	OTHER NAMES	MOSTLY USED BY
BB30		Cannondale
BSA	BSC, BC 1.37" X 24 TPI, English Threaded, BS Threaded	Specialized
BB86	PF86, PF41, PF24	Giant, BMC, Scott, Canyon
T47 68/73	T47 External Road (T47 E.R), T47 External Bearing (T47 E.B), M47 X 1	Argonaut Cycles
T47 85.5	T47 Internal Road (T47 I.R), T47 Internal Bearing (T47 I.B)	Trek
T47 A	T47 Asymmetric	Factor
ITA	Italian Threaded, 1.375" X 24 TPI	Pinarello
PF30	PressFit30	Cannondale
BB386	BB386 EVO, BB892	Open, 3T, Orbea, Ceepo
PF MTB	PF92, BB92	Trek, Giant, BMC, Scott, Canyon

*Bottom brackets not highlighted in gray will be available early 2023.

FIND YOUR CRANKSET STANDARD

Crankset Diameter	Crankset Brand	Crankset Models
24 mm	Shimano	Dura-Ace, Ultegra, 105, Tiagra, Rotor with road axle 24mm; FSA Comet, FSA Grid, FSA Omega, FSA V-drive, FSA Mega-Exo
29 mm	Sram DUB	AXS Red, Force, Rival
30 mm	Praxis, FSA, Rotor, Cane Creek	Cane creek eeWings, Rotor 3DF ROAD CRANKSET, Rotor cranks with Road axle standard, FSA K-Force, FSA Energy, FSA Gossamer, FSA SL-K



To make it easier for you to find your compatible Nova Ride bottom bracket, the best solution is to refer to your bike manufacturer's technical data sheet and identify the bottom bracket reference. If you have any doubts about the compatibility of your crankset or your bottom brackets reference, do not hesitate to email us at info@novatoride.com for more infos.